



# Street lighting

Smarter

# Smart Outdoor Street Light

— SLE Series



## Design Philosophy

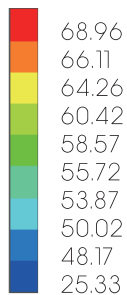
At mid-night, when there was completely no people, if the light is still running in full power, it was indeed a kind of waste. Energy-saving and environmental friendly are nowadays main theme. Street lighting, be smarter. Time control, DMX512 control to meet different road's energy-saving requirements and low carbon environment protection requirements.

# SMART STREET LIGHT - SLE SERIES

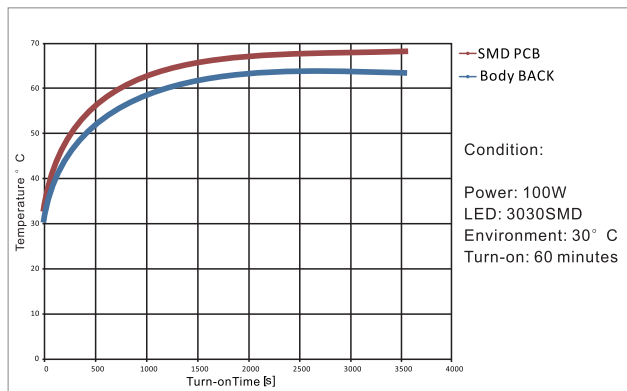
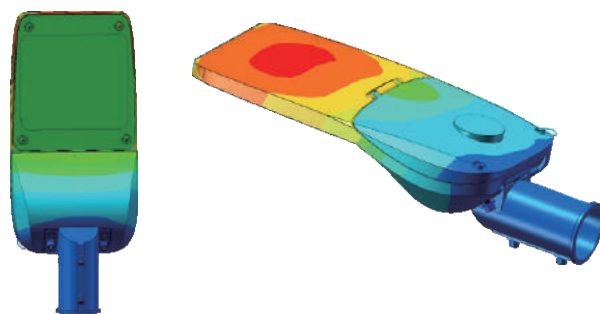
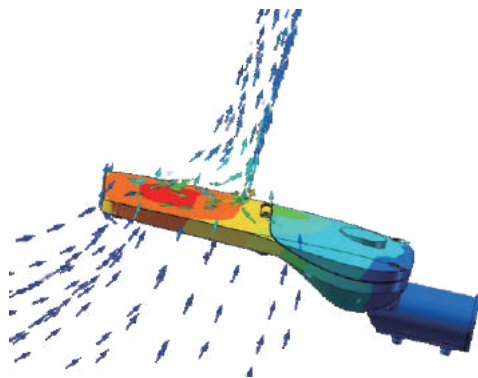
## Thermal Management

Scientific thermal structure for better lumen maintenance rate.

With advanced FEA technology, the structure is optimized during design process. Thus our clients are buying products at best cost-efficiency and reliable quality.



Unit: °C

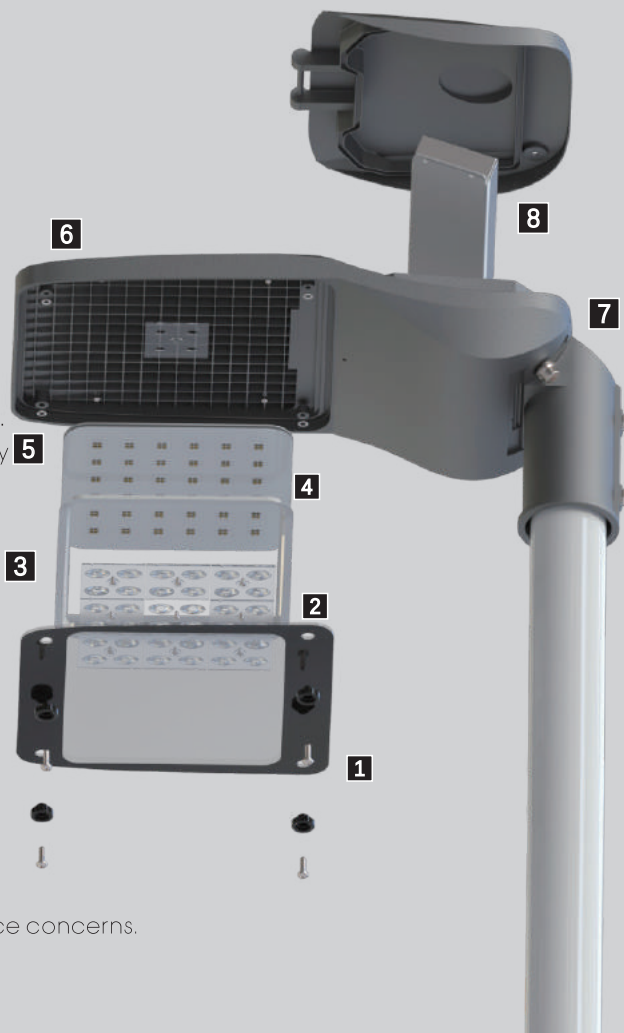


Temperature-rise Curve

Condition:  
 Power: 100W  
 LED: 3030SMD  
 Environment: 30° C  
 Turn-on: 60 minutes

## Structure

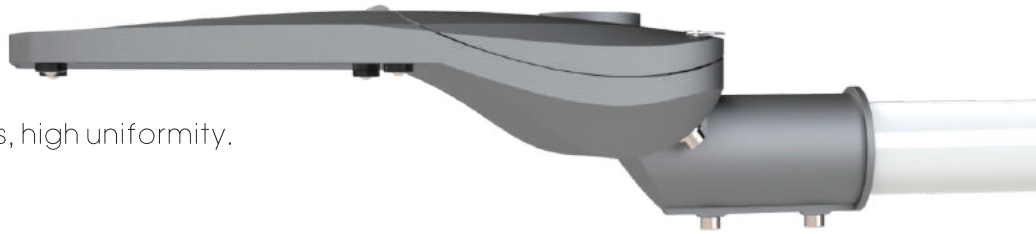
- 1 Tempered glass, weather proof, more reliable.
- 2 UV-proof silica gel, No leakage after long time operations.
- 3 PANLITE 1250Z professional optical lens, many beam angle solutions for different lighting distribution options.
- 4 **LUMILEDS** 3030 SMD. Low energy consumption, high lumen, SDCM<3, high uniformity on road surface.
- 5 High thermal conductivity aluminum PCB. Ensures high lumen and low lumen loss.
- 6 Streamline body, the dust is hard to attach. Self-clean. Small cross section, strong wind resistant design. Inner grille structure, faster heat sinking.
- 7 Pole angle adjustable. Can be installed horizontally or vertically.
- 8 Well-known brand led driver for project use. No maintenance concerns.



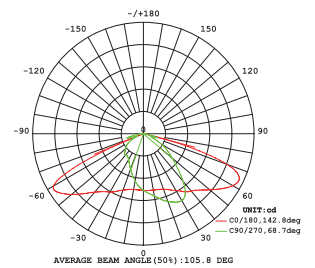
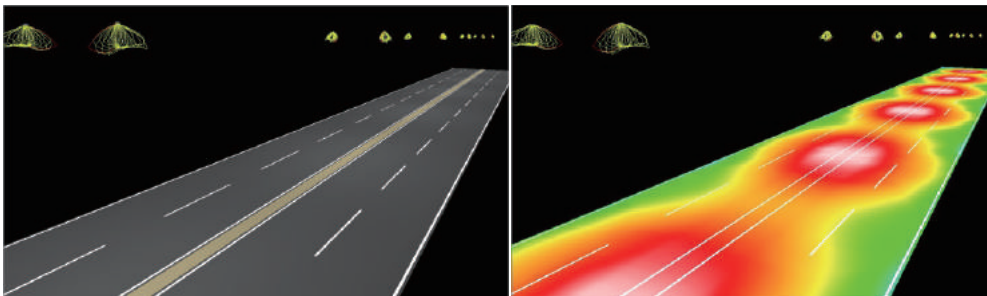
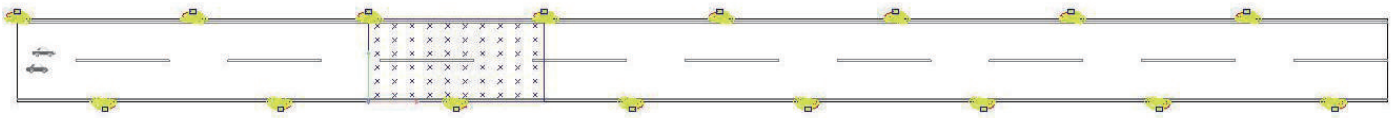
# SMART STREET LIGHT-SLE SERIES

## Optics

Scientific lighting distributions, high uniformity.



Cross installation on two sides of the road.

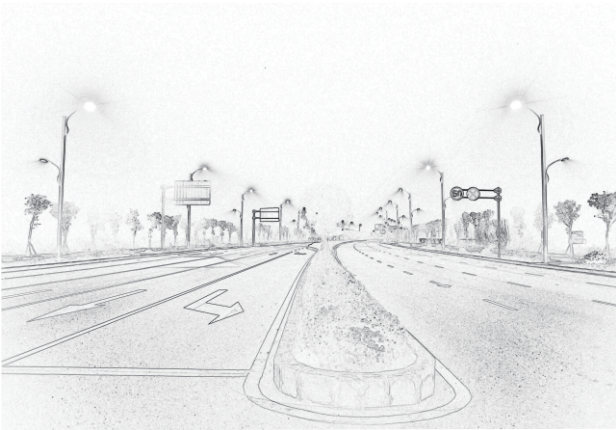


# SMART STREET LIGHT -SLE SERIES



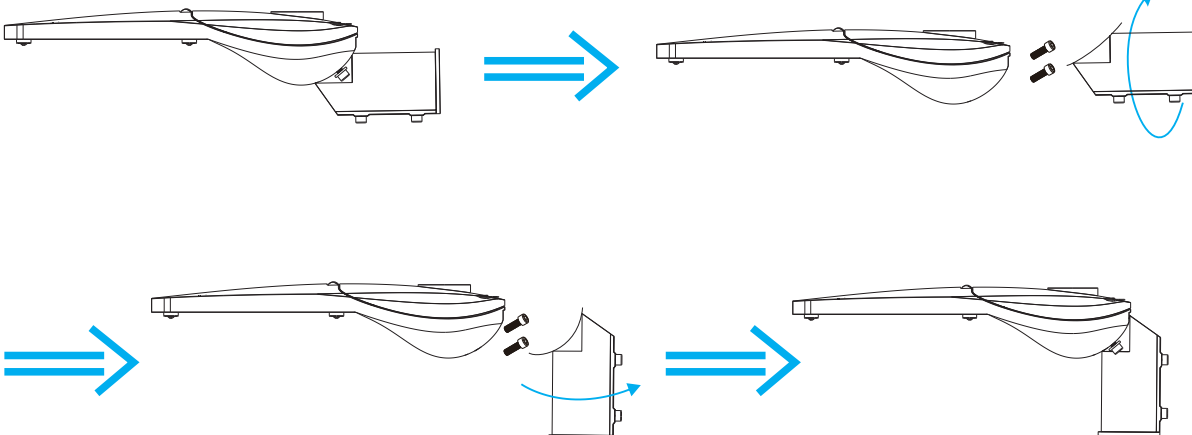
## Product Features

1. One-piece die-casting with ADC12 aluminum, environmental friendly. no lead, no mercury, no pollution to environment.
2. Special waterproof structure. The waterproof cable connection is unique and reliable.
3. Professional lighting distribution. PANLITE 1250Z LED Lens for 2nd lighting distribution. Optional T2,T3,T4 beam angles.
4. Simple structure, easy installation. The packaging got high utilization rate in transportation.
5. Small cross section, strong wind resistant design.
6. Structural mechanic waterproof. With air respirator. More reliable.
7. Smart lighting. Time control, DMX512 system control. Energy saving & environmental friendly. Low carbon& high efficiency.



## Application

Widely applicable to rural road, urban road, city road and park road.

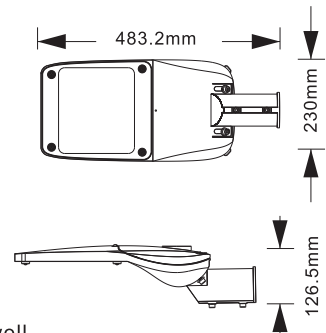


# SMART STREET LIGHT-SLE SERIES



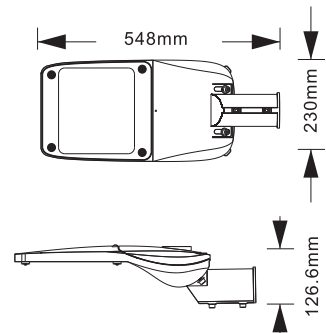
## SLE-40/60W

Power: 40W/60W  
 LED: Lumileds SMD3030  
 Size: 483.2\*230\*126.5mm  
 Weight: 3.95kg  
 Packing Size: 417\*264\*155mm  
 Input Voltage: AC85-265V  
 CCT: 2700-7000K  
 Efficacy: 135LM/W  
 LED driver: Sosen Driver/Taiwan Meanwell



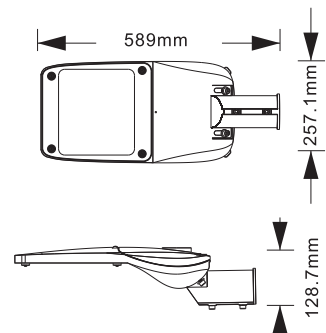
## SLE-80/100W

Power: 80W/100W  
 LED: Lumileds SMD3030  
 Size: 548\*230\*126.6mm  
 Weight: 4.75kg  
 Packing Size: 482\*272\*160mm  
 Input Voltage: AC85-265V  
 CCT: 2700-7000K  
 Efficacy: 135LM/W  
 LED driver: Sosen Driver/Taiwan Meanwell



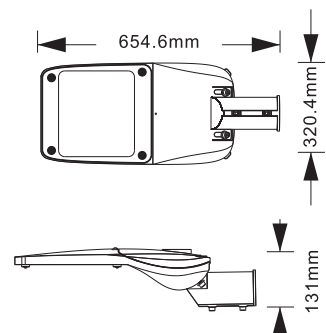
## SLE-120/150W

Power: 120W/150W  
 LED: Lumileds SMD3030  
 Size: 598\*257.1\*128.7mm  
 Weight: 6.21kg  
 Packing Size: 542\*302\*160mm  
 Input Voltage: AC85-265V  
 CCT: 2700-7000K  
 Efficacy: 135LM/W  
 LED driver: Sosen Driver/Taiwan Meanwell



## SLE-180/200W

Power: 180W/200W  
 LED: Lumileds SMD3030  
 Size: 654.6\*320.4\*131mm  
 Weight: 7.7kg  
 Packing Size: 612\*372\*185mm  
 Input Voltage: AC85-265V  
 CCT: 2700-7000K  
 Efficacy: 135LM/W  
 LED driver: Sosen Driver/Taiwan Meanwell



TOP LED



TOP Optics



Thermal Management



IP66

LM80