

# Focus on high-end outdoor solar street light factory

- ◆ ADC12 die-casting one-piece heat sink, waterproof IP65.
- ◆ Direct light design, high light transmittance PC lens, light transmittance above 90%, chip brightness 210LM/W.
- ◆ No wiring required, easy installation, adjustable folding, replaceable battery compartment design.



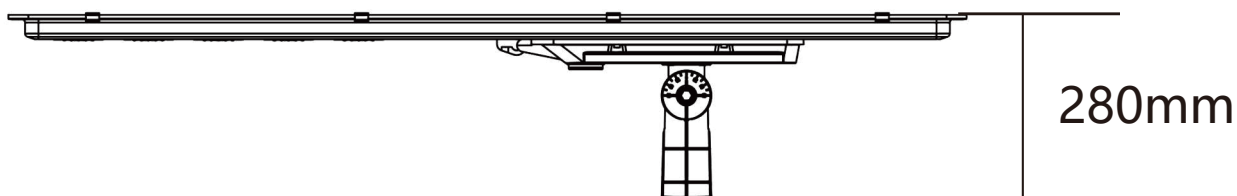
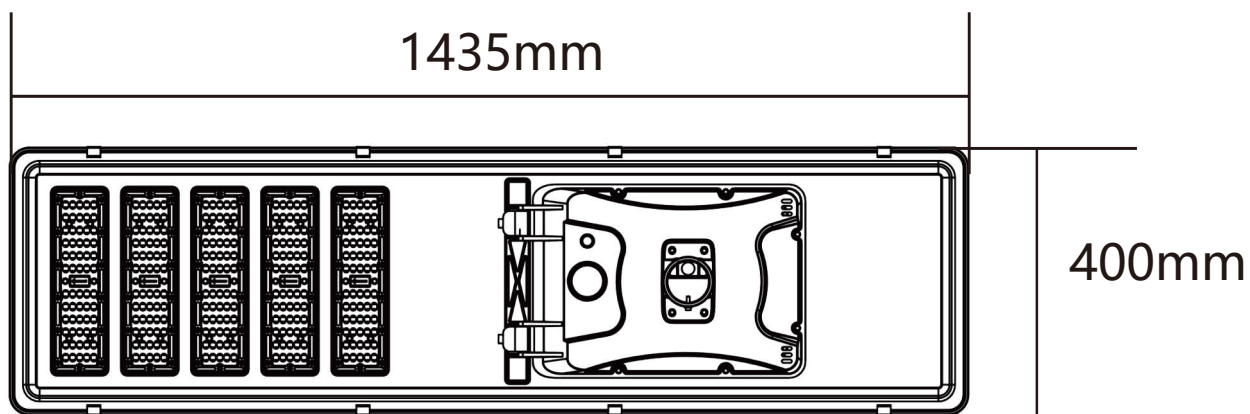
IP65

LM-80



# Product Size —

Power	Luminous Flux	LED lamp beads	Monocrystalline solar panels	Solar panel size
LKD-150W	24000LM	Philips 2835, 300PCS	18V/100W	1434*398mm



# Product Details —



## Light source chip

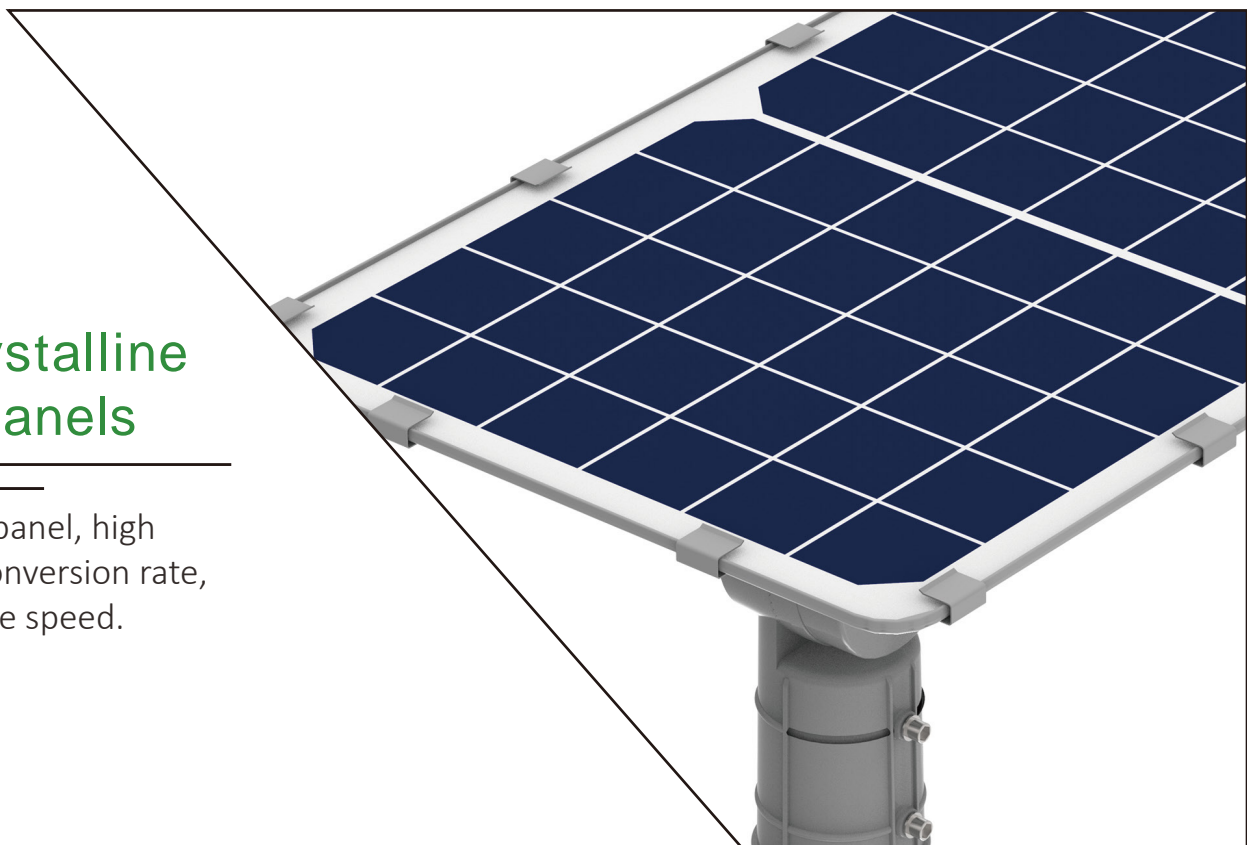
---

Using genuine Philips 2835 lamp beads, high thermal conductivity, low light decay, pure light color, no ghosting.

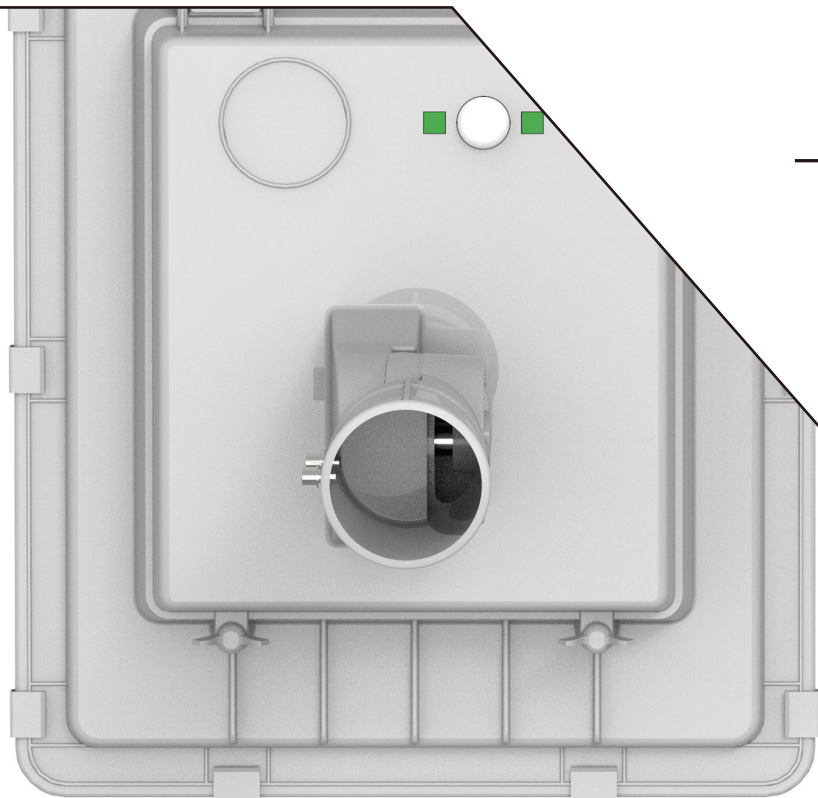
## Monocrystalline solar panels

---

Single solar panel, high photoelectric conversion rate, fast storage speed.



# Product Details —



## Aluminum display stand

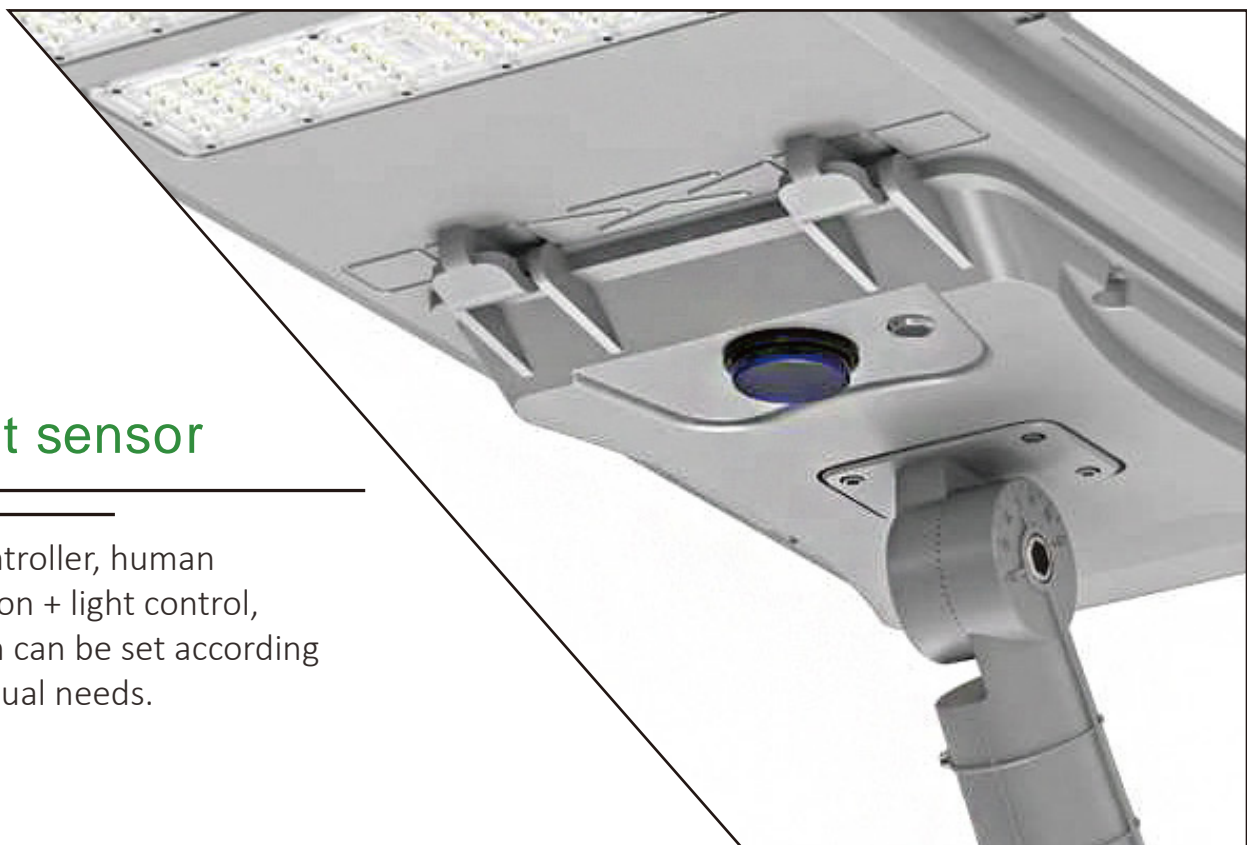
---

Using anti-oxidation 6063 die-cast aluminum shell, high hardness, fast heat dissipation, thick anti-corrosion paint treatment.

## Smart sensor

---

MPPT controller, human body induction + light control, automatic switch can be set according to actual needs.



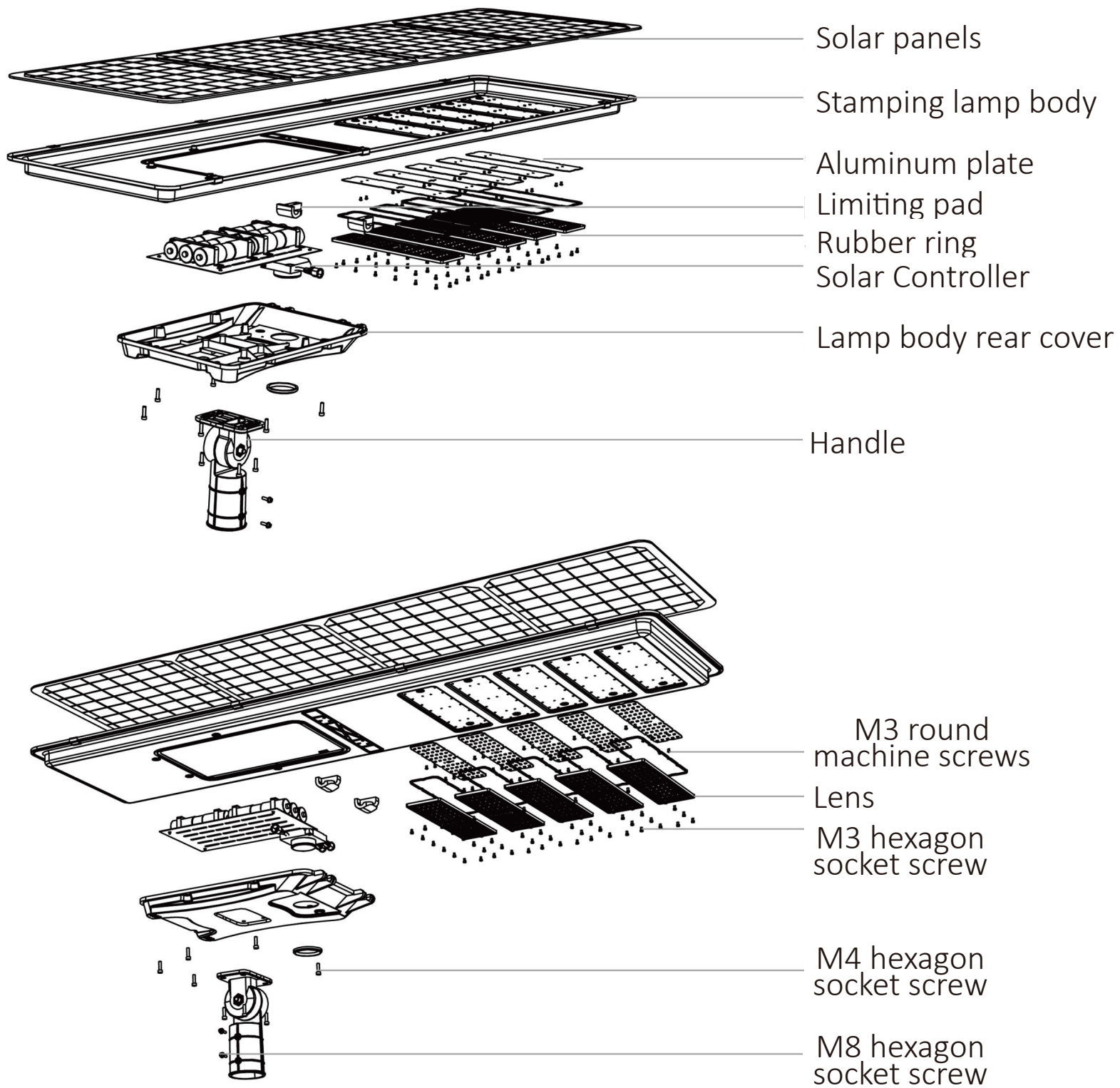


# Application Scenarios —

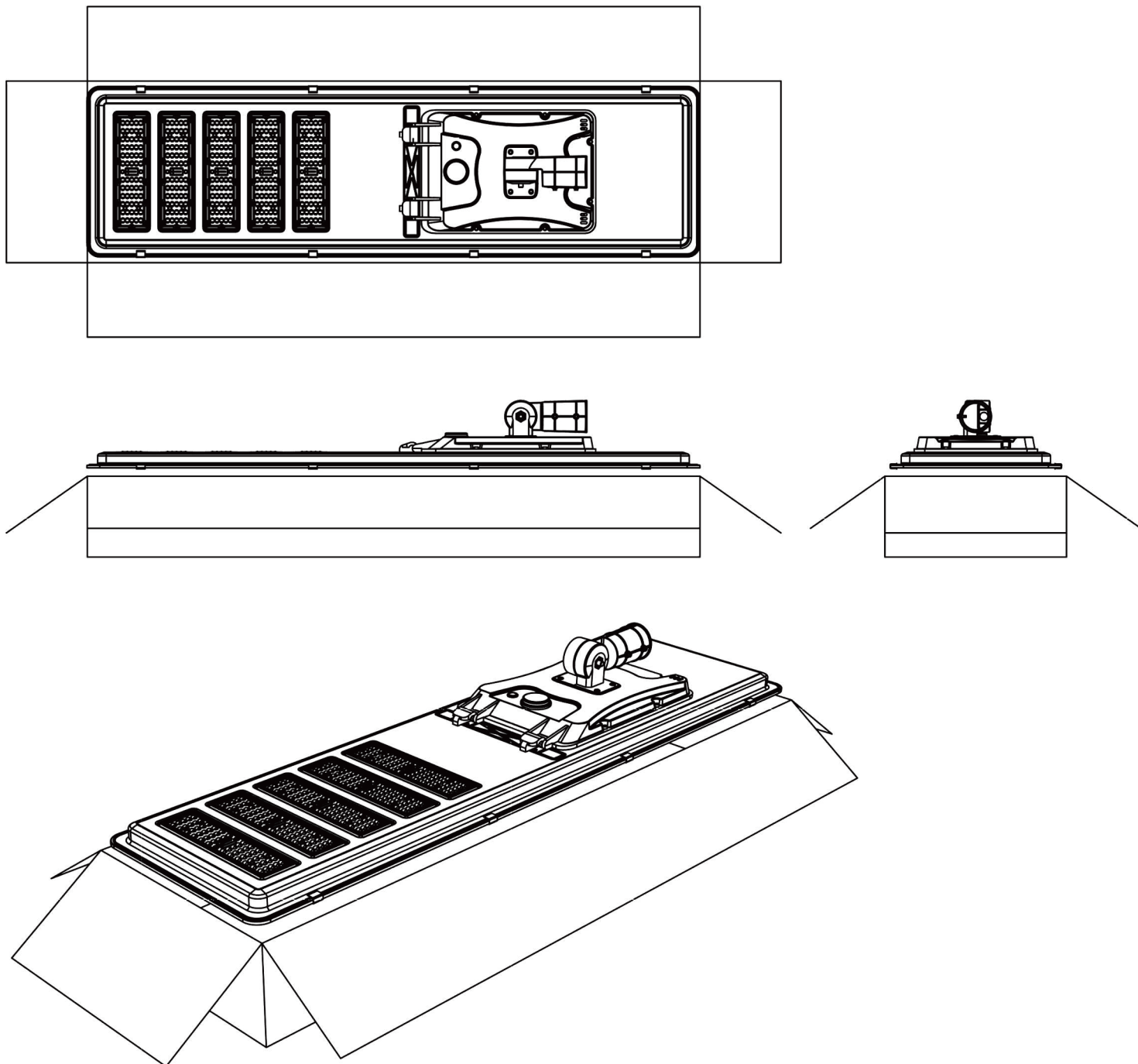
IP65 waterproof rating, suitable for various lighting scenes: rural roads, municipal roads, highways, scenic spots, outdoor basketball courts, parks, communities, etc.



# Exploded View



# Product Packaging —



Package dimensions: 1585\*450\*115mm