

SLL

Led Street Light

300W LED STREET LIGHT (Product specification)

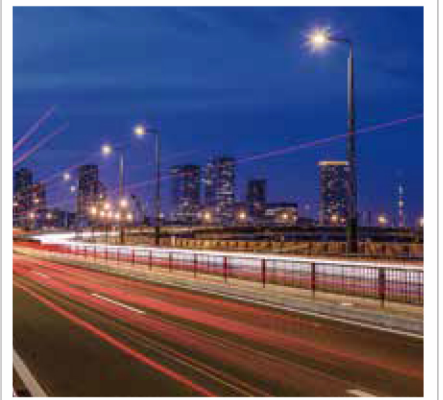


Brand	
Product name	300W LED Street light
Product number	
Date	Feb 20th, 2022



SLL

Led Street Light



SLL

Led Street Light

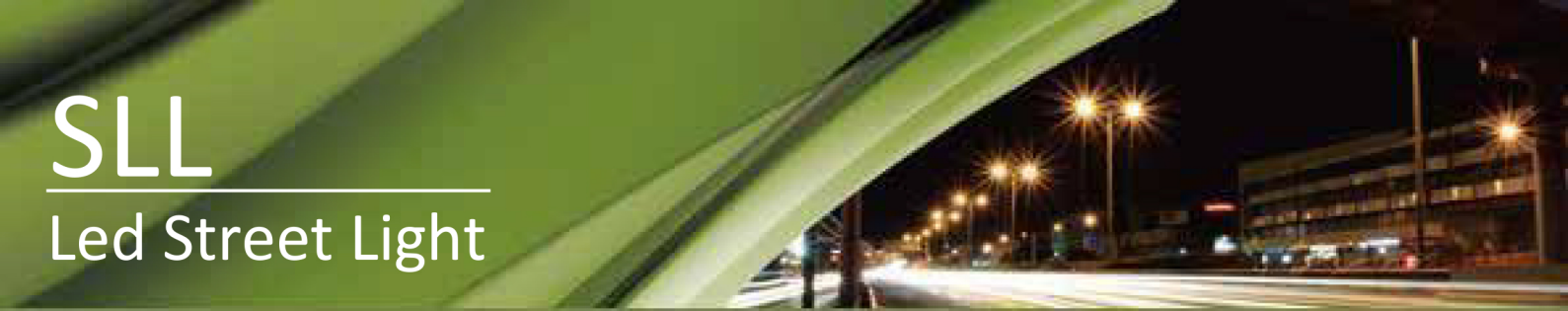


Technical Parameters

Product Number	SLL-300W		
Input Power	300W		
Lamp Brand	Philips SMD3030 400PCS		
Light Effect	≥130LM/W		
Input Voltage	AC100-305V	Frequency	50-60Hz
Power Factor	PF≥0.95	CCT	2700-6500K
Power Supply	Meanwell	CRI	≥70
Product Size	715*340*98.5mm	Packing size	750*370*160mm
Gross weight	7.2KG	Net Weight	8.3KG
Lamp Body Color	Silver		
Power Cable	Brown L firewire		
	Yellow green G ground		
	Blue N zero line		
Len's Angle	T3/T4/T5°		
Protection Level	IP66	Material	Aluminum
Service Life	50000 hours	Temperature	-40°C-+55°C
Certificate	CE RoHS	Warranty	5-10 years

SLL

Led Street Light

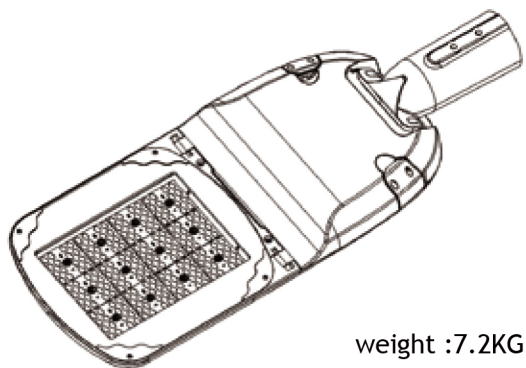


Design features

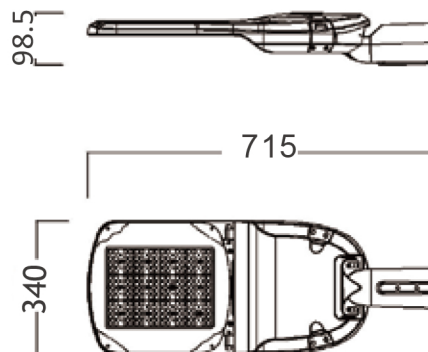


- Using one-piece die-casting molding, using standard ADC12 die-casting aluminum
- Unique waterproof structure design, the whole lamp waterproof grade is IP67.
- LED + lens secondary light distribution + glass, lens angle: T3 light.
- Ultra-small cross-section, higher wind resistance level, wind resistance level of the whole lamp: 10

Product size chart



weight :7.2KG



There are 62,52,45 kinds of pole holes



★Instructions for use

1. This product uses working voltage: AC100V~305V, 50/60 Hz, please do not exceed the working voltage range;
2. Since the lamp has a PC lens accessory, please take care when handling and storing it, and do not press it.

★Installation instructions

1. The mounting rod or mounting surface can be directly screwed through the mounting hole on the product mounting bracket;
2. After fixing the product, you can loosen the screws on both sides of the bracket and then change the angle of the bracket, which is equivalent to adjusting the installation angle of the fixture;
3. Working environment temperature -40 °C~+60 °C storage;
4. When installing the luminaire, the wiring and wiring are closed to prevent leakage;
5. When the external power cord is connected, the corresponding waterproof and water leakage measures must be taken;
6. Anti-glare design, uniform light distribution;
7. Independent power supply box design is beneficial to heat dissipation of the lamp body, reducing light decay and prolonging the service life of the light source;
8. Support light sensor installation, which can realize intelligent control of lamps and improve energy saving benefits.

★Maintenance and repair instructions

1. Make sure that the power has been turned off before maintenance.
2. Regularly clean the PC lens of the light to maintain the high transmittance of the lamp;
3. Regularly clean the dust of the light casing and radiator to maintain good heat dissipation performance;
4. Be careful not to clean with water or corrosive solutions, preferably with a dry rag;

★QUALITY ASSURANCE, AFTER-SALES SERVICE

The whole lamp is guaranteed for 5-10 years. Under normal conditions of use, quality assurance is based on the proper storage, installation, use and maintenance of the product; Due to improper installation and use, product damage caused by violation of product operating procedures is not covered by warranty; For quality problems during the quality warranty period, the company will choose to repair, exchange (parts) or replace new products during the warranty period. The method is solved; if the quality warranty period is exceeded, the materials and labor costs will be properly collected.